

# PRODUCT INFORMATION PACKET

Model No: 056T34D5353

Catalog No: J046

Jet Pump Motor, 3 & 2 HP, 3 Ph, 60 & 50 Hz, 208-230/460 & 190/380 V, 3600 & 3000 RPM, 56J Frame, DP



Regal and Marathon are trademarks of Regal Rexnord Corporation or one of its affiliated companies.

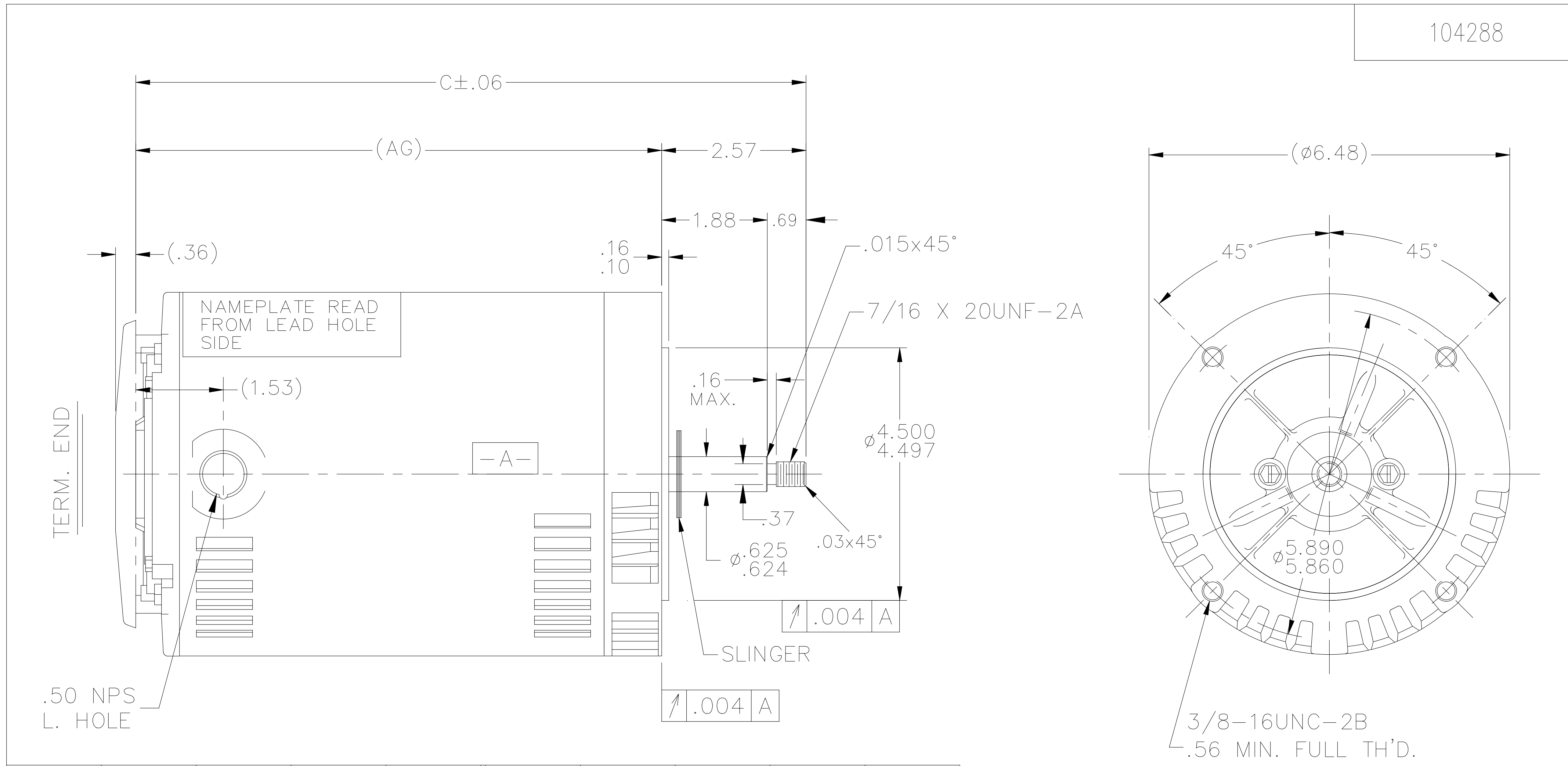
©2023 Regal Rexnord Corporation, All Rights Reserved. MC017097E

### Nameplate Specifications

Phase	<b>3</b>	Output HP	<b>3 &amp; 2 Hp</b>
Output KW	<b>2.2 &amp; 1.5 kW</b>	Voltage	<b>208-230/460 &amp; 190/380 V</b>
Speed	<b>3450 &amp; 2850 rpm</b>	Service Factor	<b>1.15 &amp; 1.15</b>
Frame	<b>56J</b>	Enclosure	<b>Drip Proof</b>
Thermal Protection	<b>No Protection</b>	Efficiency	<b>84 &amp; 84 %</b>
Ambient Temperature	<b>40 °C</b>	Frequency	<b>60 &amp; 50 Hz</b>
Current	<b>8.9-8.4/4.2 &amp; 7/3.5 A</b>	Power Factor	<b>82</b>
Duty	<b>Continuous</b>	Insulation Class	<b>B</b>
Design Code	<b>B</b>	KVA Code	<b>J</b>
Drive End Bearing Size	<b>6205</b>	Opp Drive End Bearing Size	<b>6203</b>
UL	<b>Recognized</b>	CSA	<b>Y</b>
CE	<b>N</b>	IP Code	<b>22</b>
Number of Speeds	<b>1</b>		

### Technical Specifications

Electrical Type	<b>Squirrel Cage Induction Run</b>	Starting Method	<b>Across The Line</b>
Poles	<b>2</b>	Rotation	<b>Reversible</b>
Resistance Main	<b>1.7 Ohms</b>	Mounting	<b>Round</b>
Motor Orientation	<b>Horizontal</b>	Drive End Bearing	<b>Ball</b>
Opp Drive End Bearing	<b>Ball</b>	Frame Material	<b>Rolled Steel</b>
Shaft Type	<b>J</b>	Overall Length	<b>11.94 in</b>
Frame Length	<b>7.56 in</b>	Shaft Diameter	<b>0.625 in</b>
Shaft Extension	<b>1.88 in</b>	Assembly/Box Mounting	<b>F1 Only</b>
Outline Drawing	<b>A-104288-756</b>	Connection Drawing	<b>A-EE7308</b>



DASH	FR.	C	AG		DASH	FR.	C	AG	
606	56-60	10.44	7.87		806	56-80	12.44	9.87	
656	"-65	10.94	8.37		856	"-85	12.94	10.37	
706	"-70	11.44	8.87		906	"-90	13.44	10.87	
756	"-75	11.94	9.37		956	"-95	13.94	11.37	

				TOLERANCES UNLESS SPECIFIED		REGAL™ Regal Beloit America, Inc.	DRAWN MH 04-17-1997				
				DEC.	INCHES		CHK	ML	APPD	DAR	
F	UPDATED TEMPLATE TO REGAL			SM	5/18/2017	SM	.X	±.1			
3	REDRAWN IN AUTOCAD			TAT	07-13-2004	ML	.XX	±.03	SCALE 3=8		
2	REMOVED INTERNAL THREAD FROM SHAFT CN 24715			MJD	08-25-1997		.XXX	±.005	REF		
1	NEW DRAWING CN 24169			MH	04-22-1997		.XXXX	±.0005	FMF		
NO.	REVISION			BY & DATE		CHK	ANG	±7'30"	PREV		
THIS DRAWING IN DESIGN AND DETAIL IS OUR PROPERTY AND MUST NOT BE USED EXCEPT IN CONNECTION WITH OUR WORK ALL RIGHTS OF DESIGN AND INVENTION ARE RESERVED THIS IS AN ELECTRONICALLY GENERATED DOCUMENT - DO NOT SCALE THIS PRINT				RFP		CAD FILE 104288		SIZE	DRAWING NO.	PAGE OF	REV.
				DIST	WP			A	104288		F

EE7308

THREE PHASE  
DUAL VOLTAGE MOTOR



VIEW OF TERMINAL END

REF.  
WINDING DIAGRAM

T8Y, T2Y, T2BL, T4BX, T2EC, T2G  
T6BZ, T2B, T6BL, T4AV, T6B, T4B

OPTIONAL CORD  
CONNECTION

L1 — WHITE  
L2 — RED  
L3 — BLACK

NO.	REVISION	BY & DATE	CHK	ANG	TOLERANCES UNLESS SPECIFIED		FINISH	DRAWN RM 11/20/1990				
					DEC.	INCHES						
5	CHG TO REGAL LOGO	SL 09/10/2015	AB					CHK ML 11/21/1990				
4	REVISED IEC NOTATIONS	MSG 11/15/2011	CMN	.X	±.1			APPD SAS 04/24/2003				
3	ADDED IEC NOTATIONS... (U1), (V1) ETC. MU95194	MSG 5/10/2010	MJS	.XX	±.02		TITLE CONNECTION DIAGRAM	SCALE 1=1				
2	ADDED THE OPTIONAL CORD CONNECTION MU46318	RDH 04/24/2003	DRS	.XXX	±.005		3Ø - DUAL VOLTAGE MOTOR	REF				
1	REDRAWN	RM 11/20/1990		.XXXX	±.0005		MAT'L.	FMF				
					±7'30"			PREV				
THIS DRAWING IN DESIGN AND DETAIL IS OUR PROPERTY AND MUST NOT BE USED EXCEPT IN CONNECTION WITH OUR WORK ALL RIGHTS OF DESIGN AND INVENTION ARE RESERVED THIS IS AN ELECTRONICALLY GENERATED DOCUMENT - DO NOT SCALE THIS PRINT							RFP	CAD FILE ee7308	SIZE A	DRAWING NO. EE7308	PAGE OF 5	REV. 5
							DIST WP					

